

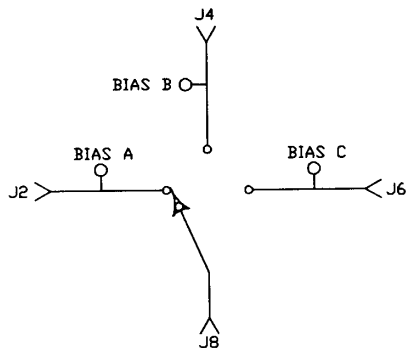
DESCRIPTION

AMC MODEL SWN-1140-3DT-STANDARD OPTIONS 0518, RG, MIL, TH, SHL, B02 IS A SINGLE POLE THREE THROW, NON-REFLECTIVE/ABSORPTIVE PIN DIODE SWITCH MODULE WITH LOW INSERTION LOSS, HIGH SPEED AND WITH INTEGRAL TTL DRIVER, DESIGNED FOR BROAD BAND OPERATIONS.

SPECIFICATIONS:

- FREQUENCY: 0.5 GHz TO 18 GHz
- INSERTION LOSS: 3.75 dB
- ISOLATION: 0.5 GHz TO 2 GHz: 60db
2 GHz TO 18 GHz: 70db
- VSWR: ABSORPTIVE IN/OUT: 2.0:1
ABSORPTIVE OUT/OFF: 2.0:1
- SPEED: RISE: 10ns TYPICAL, 15ns MAX.
FALL: 10ns TYPICAL, 15ns MAX.
DELAY ON: 75ns TYPICAL, 100ns MAX.
DELAY OFF: 75ns TYPICAL, 100ns MAX.
- POWER INPUT: (CW)+20dBm (STANDARD), +10 dBm (HIGH SPEED)
- SURVIVAL POWER: 12 WATT CW, 200 WATTS PEAK @ 10 usec
- CONTROL: TTL LOGIC "0"=ON "1"=OFF
- POWER SUPPLY: +5V @ 150 mA MAXIMUM
-15V @ 100 mA MAXIMUM
- SIZE: 1.25" (L) x 1.25" (W) x 0.40" (H)
- WEIGHT: 2.0 oz.

BLOCK DIAGRAM



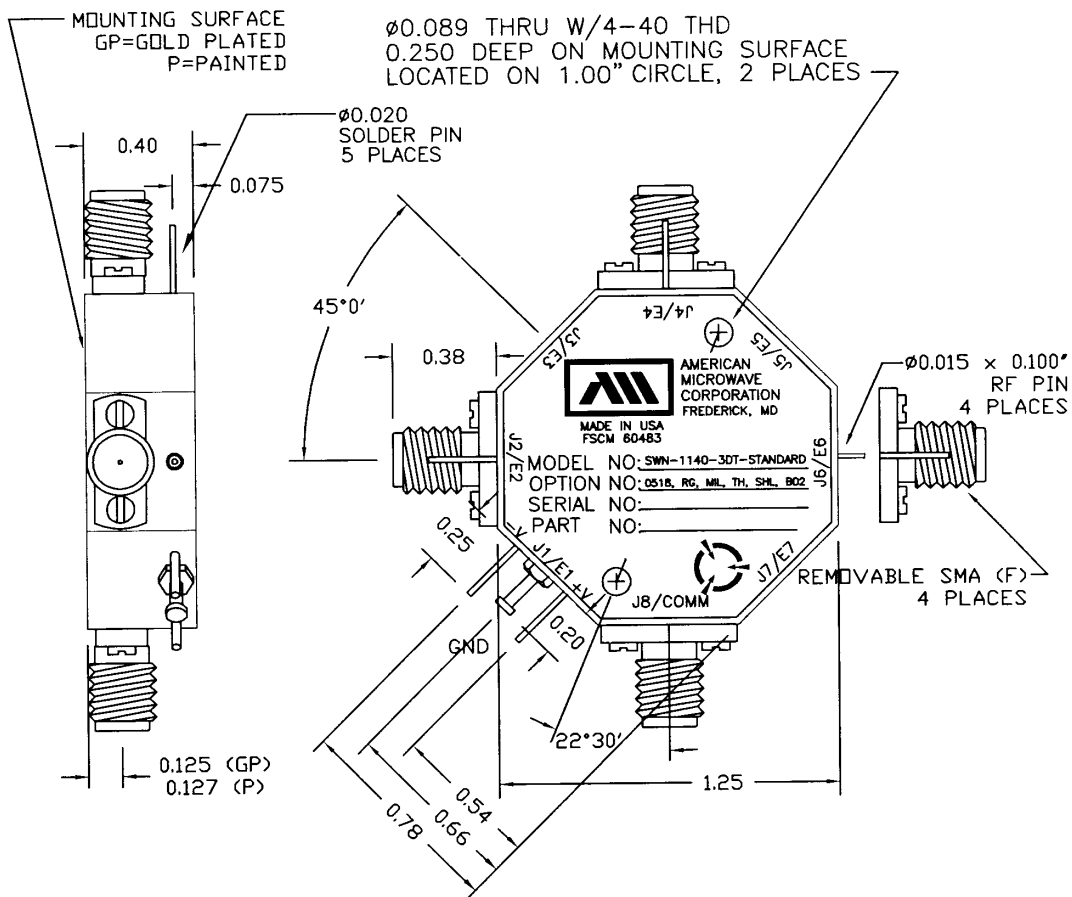
ENVIRONMENTAL RATINGS:

- TEMPERATURE: -55°C TO +85°C (OPERATING)
-65°C TO +125°C (STORAGE)
- HUMIDITY: MIL-STD-202F, METHOD 103B COND. B
- SHOCK: MIL-STD-202F, METHOD 213B COND. B
- VIBRATION: MIL-STD-202F, METHOD 204D COND. B
- ALTITUDE: MIL-STD-202F, METHOD 105C COND. B
- TEMPERATURE CYCLE: MIL-STD-202F, METHOD 107D COND. A

NOTE: THE ABOVE SPECIFICATIONS ARE SUBJECT TO CHANGE OR REVISION

ALL DIMENSIONS ARE IN INCHES
TOLERANCES:
X.XX ±0.020
X.XXX ±0.010

REVISIONS		DESCRIPTION	DATE	APPROVED
ZONE	REV.			
	-	ORIGINAL RELEASE, JOB# 201012	11/10/08	



CONFIDENTIAL AND PROPRIETARY

APPROVALS		DATE	AMERICAN MICROWAVE CORPORATION FREDERICK, MARYLAND	
DRAWN		11/10/08	TITLE PRODUCT FEATURE SWN-1140-3DT-STANDARD OPTIONS: 0518, RG, MIL, TH, SHL, B02 RADIAL SOLID STATE SWITCH	
CHECKED			SIZE	REV.
ISSUED			A	-
			FSCM NO. 60483	DWG NO. 100-6248
			SCALE N/S	SHEET 1 of 3